



**ARISTON**

# SPARE PARTS EXPLODED VIEW STORAGE ELECTRIC WATER HEATERS

Model

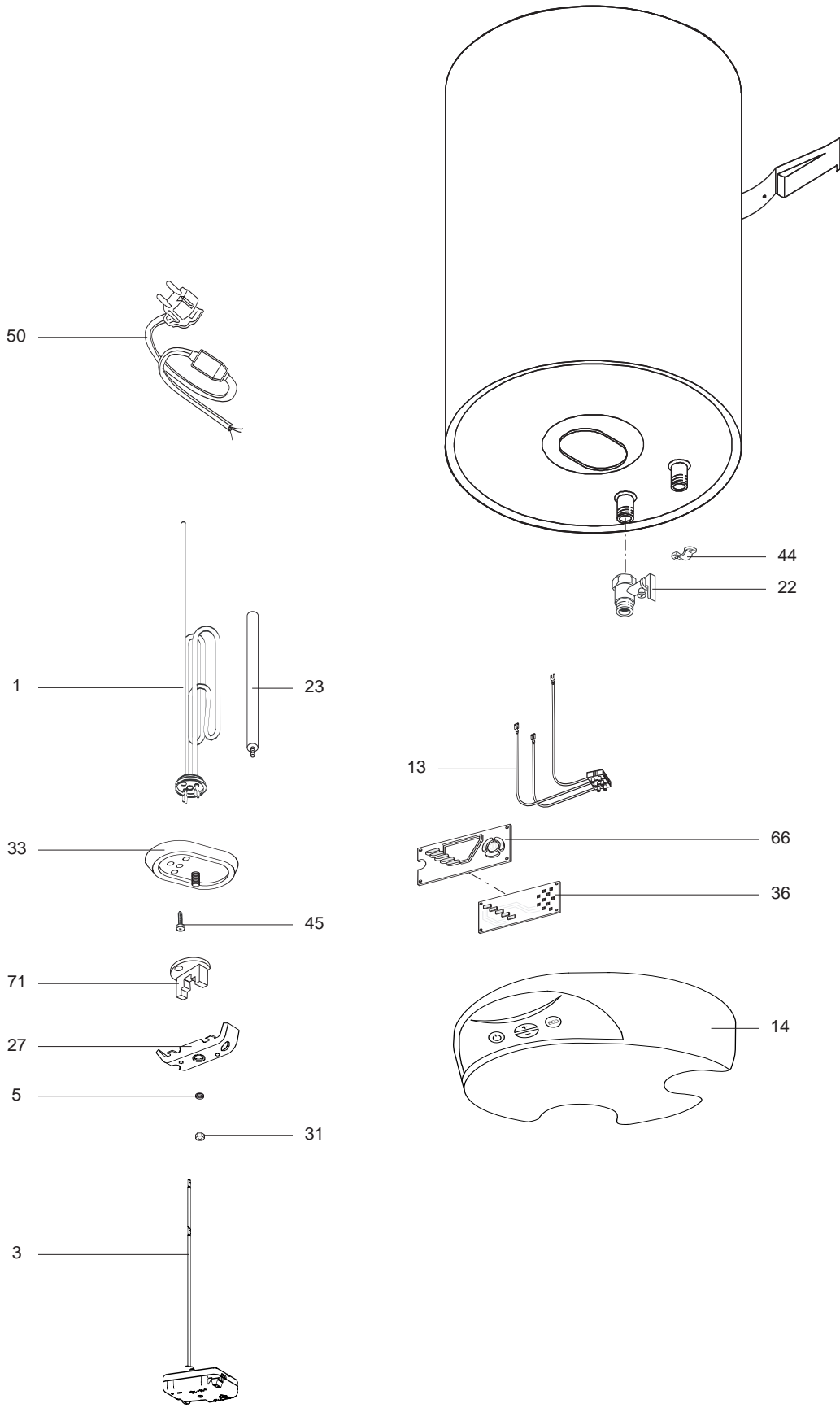
## **ABS PLT ECO SLIM**

R8216312-03EN - Edition 03 - 01/06/2011

**ABS PLT ECO SLIM**

Storage Electric Water Heaters

370 0190		ABS PLT ECO 30 V SLIM	...	...
370 0191		ABS PLT ECO 50 V SLIM	...	...
370 0192		ABS PLT ECO 65 V SLIM	...	...
370 0193		ABS PLT ECO 80 V SLIM	...	...
Reference	Ind.	Model type	Begin	End





## LIST OF THE ABBREVIATIONS

HW .....	: Hot water.
CW .....	: Cold water.
C .....	: Ceramic resistance (normal heating).
Ca .....	: Ceramic resistance (accelerated heating)
TP .....	: Immersion heater.
1F .....	: With fittings.
2F .....	: Without fittings.
3F .....	: With fittings and another outlet connection.
AMI .....	: With mixing valve.
SMI .....	: Without mixing valve.
PUISS .....	: Power of th appliance.
PN .....	: Appliance with normal pression.
LP .....	: Appliance with low pression.
PV .....	: Appliance with variable power.
PF .....	: Appliance with fixed power..

## IDENTIFICATION PLATE

### SERIAL NUMBER

<b>6 Characters :</b>	_____ 03 09 08 _____	Manufacturing day Month of manufacture
<b>9 Characters :</b>	_____ 5 9 12 0606 _____	Sequential number Month of manufacture
<b>15 Characters :</b>	_____ 02 11 00001 007843 _____	Code appareil Sequential number
<b>21 Characters :</b>	_____ 3200050 XX 08115 0000001 _____	Sequential number Year (08) / Manufacturing day (115)
<b>22 Characters :</b>	_____ 3200050 XX 070115 0000001 _____	Sequential number Year (07) / Month (01) / Manufacturing day (15)

The indications mentioned on the prices, commercial or technical literature and the scheme are written for your guidance and are available at a given time. The CONSTRUCTOR retains the power to modify the presentation, the form, the size, the conception or the material of the products.